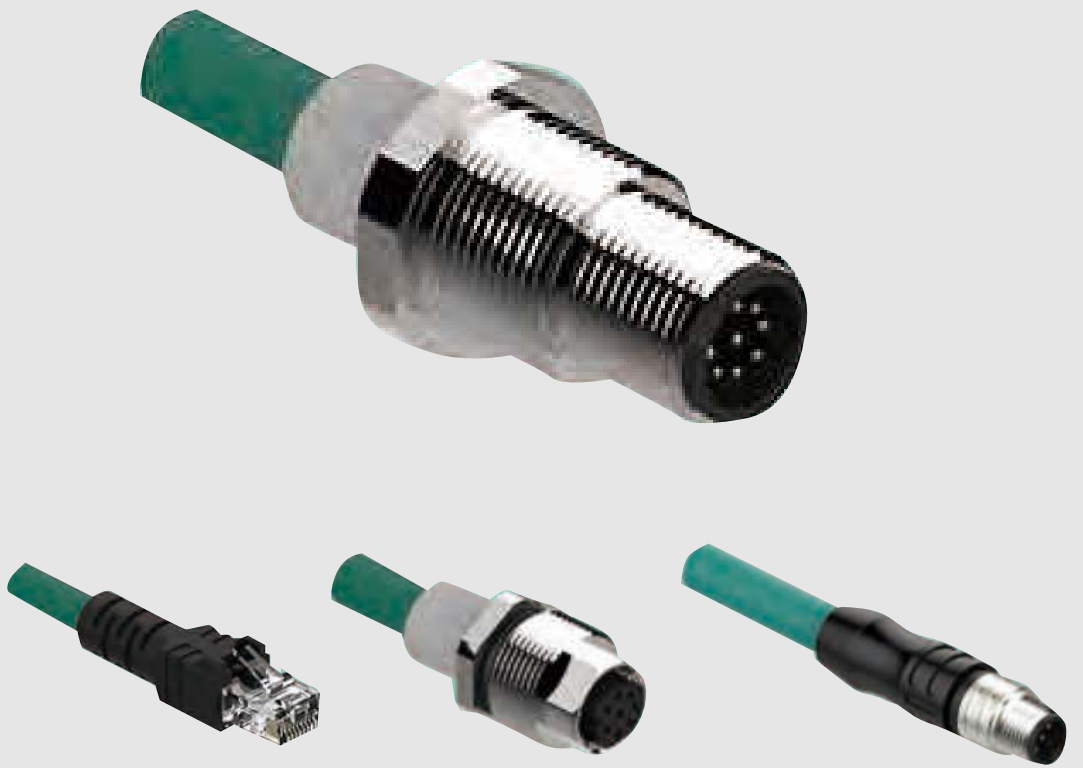


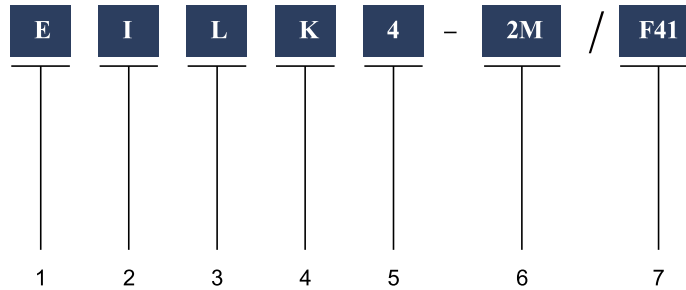
# Ethernet Connector

Ethernet  
Connector  
Ethernet  
Connector



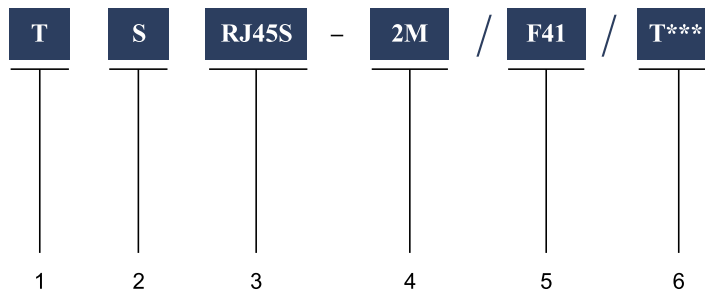
Ethernet  
Connector  
Ethernet

### M12x1 Pre-moulding connector



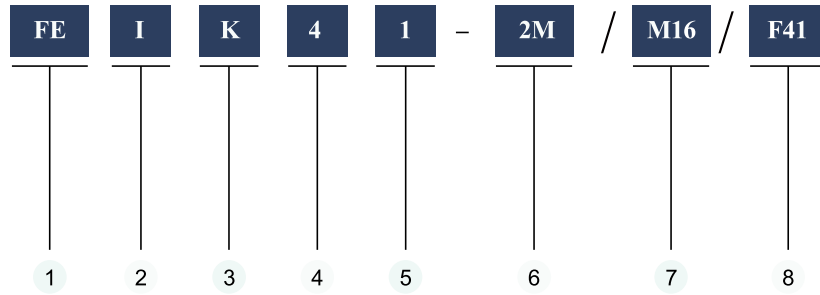
- 1 E M12x1Connector
- 2 I Ethernet
- 3 L Right angle  
Blank Straight
- 4 K Female  
Z Male
- 5 Number of pins  
Contact distribution
- 6 Length [m]
- 7 Cable type  
F41/F410  
E41/E45  
E61/E610  
E71  
F21/F23

### RJ45 Premolding Connector



- 1 T Right angle, Buckle up  
B Right angle, Buckle down  
C Straight, Screw cordset  
D Straight, Short version
- 2 Blank RJ45  
S QD-type RJ45
- 3 RJ45S Shielding
- 4 Length [m]
- 5 Cable type  
F41/F410  
E41/E45  
E61/E610  
E71  
F21/F23
- 6 T\*\*\* customization

## Receptacle



1 FE M12x1 receptacle

2 I Ethernet

3 K Female  
Z Male

4 Number of pins  
Contact distribution

5 Termination (mounting style)

1 Rear mount  
2 Front mount

6 Length [m]

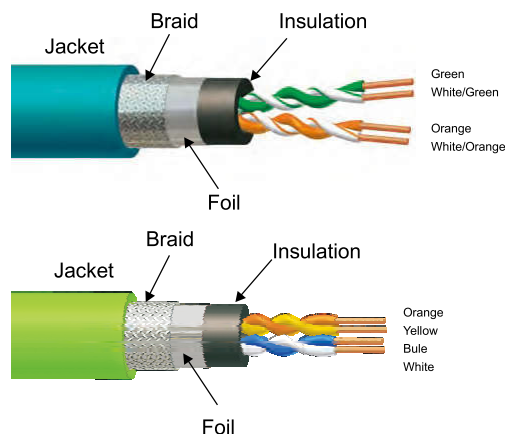
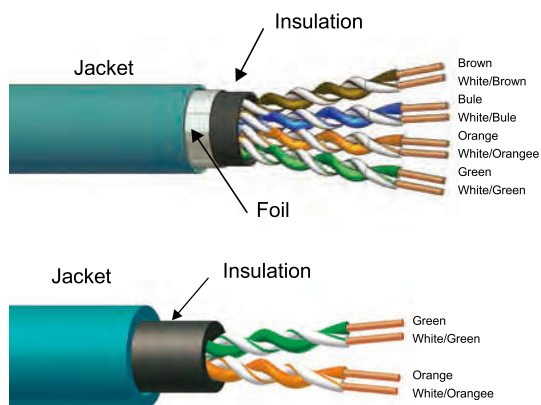
7 Thread Type (connection thread)

M8  
M16  
Blank PG9

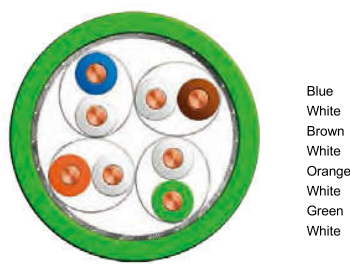
8 Cable type

F41/F410  
E41/E45  
E61/E65  
E71/E75  
F21/F23

# Ethernet Cable Type



CAT6

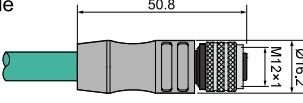
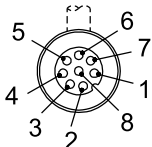
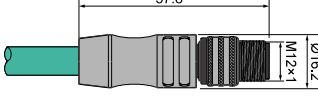
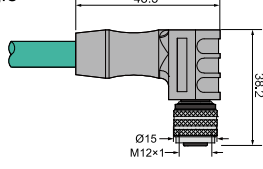
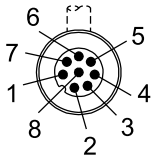
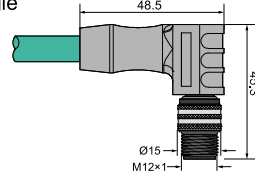
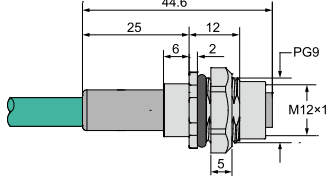
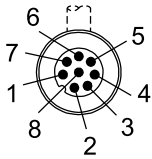
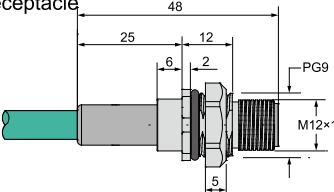


CAT7

Cable Type NO.	Authentication	Data parameter		Jacket	Shield	Suffix code/Application	
		Cable parameters	DC resistance per 100 inch	Material, Colour, Outer diameter			
58103503-*M	NECCMR(ETL) CECC(ETL)	2*2*24AWG	28.6 Ohms PE	PVC Teal 5.6mm	Foil/Braid	F41 75°C 300 Volts	Cat.5e fixed application
58107501-*M	TSB-36 ISO/IEC11801	2*2*26AWG	37.3 Ohms PE	TPU Teal 6.1mm	Foil/Braid	F410 50°C 124 Volts	Cat.5e drag chain≥ 5 million
58110311-*M	NECCMR(ETL) CECC(ETL)	4*2*26AWG	28.6 Ohms PE	PUR Teal 6.4mm	Foil/Braid	E41 75°C 300 Volts	Cat.5e fixed application
58125311-*M	TSB-36 ISO/IEC11801	4*2*26AWG	28.6 Ohms PE	TPU Teal 6.9mm	Foil/Braid	E45 50°C 125 Volts	Cat.5e drag chain≥ 5 million
58111311-*M	UL认证: CMG 1685	4*2*24AWG	57.9Ohms PE	PVC Green 8.0mm	Foil/Braid	E61 75°C 300 Volts	Cat.6 fixed application
58121311-*M	UL认证: CMG 1685	4*2*24AWG	54.8Ohms PE	PVC Green 8.0mm	Foil/Braid	E65 75°C 300 Volts	Cat.6 drag chain≥ 1 million
58016161-*M	UL/CSA/CE RoHs	4*2*26AWG	54.8Ohms	PUR Green 7.2mm	Foil/Braid	E66 80°C 600 Volts	Cat.6 drag chain≥ 10 million
58006311-*M	UL认证: AWM 20963	4*2*23AWG	54.8Ohms PE	PVC Green 8.0mm	Foil/Braid	E71 80°C 300 Volts	Cat.7 fixed application
58102312-*M	NECCMR(ETL) CECC(ETL)	4*22AWG	13.8 Ohm	PVC Green 6.5mm	Foil/Braid	F21 60°C 300 Volts	Cat.5e fixed application
58108312-*M	IEC60332-1 DINEN60811-2-1	4*22AWG	16.2 Ohm	TPU Green 6.5mm	Foil/Braid	F23 70°C 600 Volts	Cat.5e drag chain≥ 5 million

# 8pins Ethernet/IP pre-moulding connector



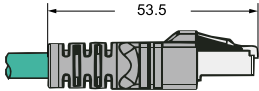
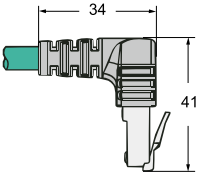
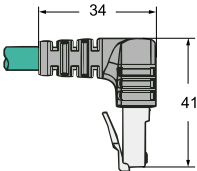
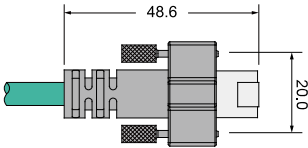
Connector	Type NO.	ID NO.	Pinout
M12 Pre-moulding Straight Female 	EIK8-2M/E41 EIK8-5M/E41 EIK8-10M/E41	10017100 10017113 10017114	Female 
M12 Pre-moulding Straight Male 	EIZ8-2M/E41 EIZ8-5M/E41 EIZ8-10M/E41	10017105 10017103 10017104	
M12 Pre-moulding Right angle Female 	EILK8-2M/E41 EILK8-5M/E41 EILK8-10M/E41	10017110 10017117 10017118	1.WH/BU 2.WH/BN 3.BN 4.OR 5.WH/GN 6.WH/OR 7.BU 8.GN  Male 
M12 Pre-moulding Right angle Male 	EILZ8-2M/E41 EILZ8-5M/E41 EILZ8-10M/E41	10017115 10017119 10017121	
M12 Receptacle Female 	FEIK81-2M/E41 FEIK81-5M/E41 FEIK81-10M/E41	10017375 10017101 10017102	Male 
M12 Receptacle Male 	FEIZ81-2M/E41 FEIZ81-5M/E41 FEIZ81-10M/E41	10017380 10017122 10017123	

\* Standard cable lengths are 2/5/M, Consult factory for other lengths

\*\* The naming rule of double-ended connector is male after female, flange after pre-moulding, angles after straight.

## 8pins Ethernet/IP pre moulding connector



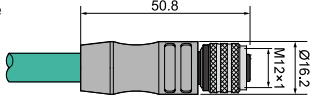
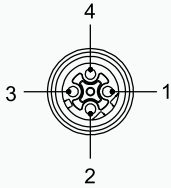
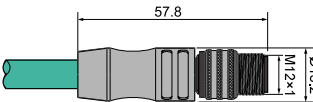
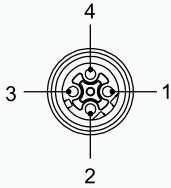
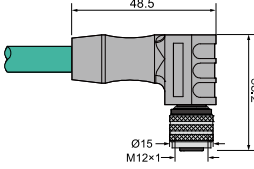
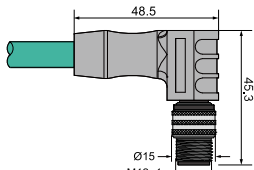
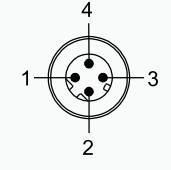
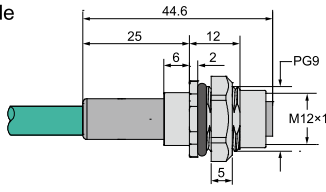
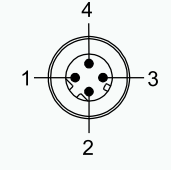
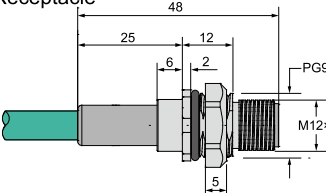
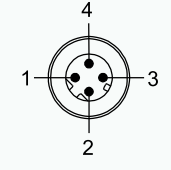
Connector	Type NO.	ID NO.	Pinout
RJ45 straight 	RJ45S-2M/E41 RJ45S-5M/E41 RJ45S-10M/E41	10250000 10250416 10250333	Standard 1.WH/OR 2.OR 3.WH/GN 4.BU 5.WH/BU 6.GN 7.WH/BN 8.BN Cross 1.WH/GN 2.GN 3.WH/OR 4.BU 5.WH/BU 6.OR 7.WH/BN 8.BN *Cross type: RJ45S-*M/E41-CR TRJ45S-*M/E41-CR BRJ45S-*M/E41-CR CRJ45S-*M/E41-CR
RJ45 right angle Buckle up 	TRJ45S-2M/E41 TRJ45S-5M/E41 TRJ45S-10M/E41	10250010 10255068 10255069	
RJ45 right angle Buckle down 	BRJ45S-2M/E41 BRJ45S-5M/E41 BRJ45S-10M/E41	10255070 10255071 10255072	
RJ45 straight Screw cordset 	CRJ45S-2M/E41 CRJ45S-5M/E41 CRJ45S-10M/E41	10250330 10250331 10250332	

\* Standard cable lengths are 2/5/M, Consult factory for other lengths

\*\* The naming rule of double-ended connector is male after female, flange after pre-moulding, angles after straight.

## 4pins Ethernet/IP pre-moulding connector



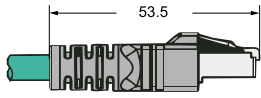
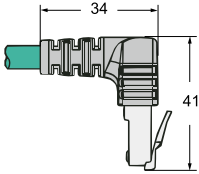
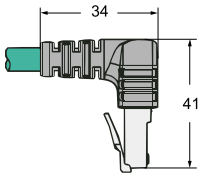
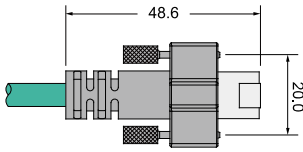

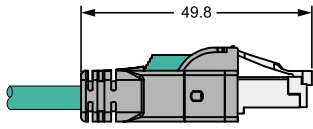
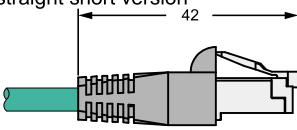
Connector	Type NO.	ID NO.	Pinout
M12 Pre-moulding Straight Female 	EIK4-2M/F41 EIK4-5M/F41 EIK4-10M/F41	10017210 10056001 10056002	Female 
M12 Pre-moulding Straight Male 	EIZ4-2M/F41 EIZ4-5M/F41 EIZ4-10M/F41	10017215 10255073 10255074	
M12 Pre-moulding Right angle Female 	EILK4-2M/F41 EILK4-5M/F41 EILK4-10M/F41	10017220 10056011 10056012	1.WH/OR(+tx) 2.WH/GN(+rx) 3.OR(-tx) 4.GN(-rx)
M12 Pre-moulding Right angle Male 	EILZ4-2M/F41 EILZ4-5M/F41 EILZ4-10M/F41	10017225 10255075 10017368	Male 
M12 Receptacle Female 	FEIK41-2M/F41 FEIK41-5M/F41 FEIK41-10M/F41	10017395 10055005 10055006	
M12 Receptacle Male 	FEIZ41-2M/F41 FEIZ41-5M/F41 FEIZ41-10M/F41	10017400 10055007 10055008	

\* Standard cable lengths are 2/5M, Consult factory for other lengths

\*\* The naming rule of double-ended connector is male after female , flange after pre-moulding , angles after straight.

## 4 4pins Ethernet/IP pre moulding connector



Connector	Type NO.	ID NO.	Pinout
RJ45 straight 	RJ45S-2M/F41 RJ45S-5M/F41 RJ45S-10M/F41	10250040 10250045 10250317	
RJ45 right angle Buckle up 	TRJ45S-2M/F41 TRJ45S-5M/F41 TRJ45S-10M/F41	10250050 10255060 10255061	
RJ45 right angle Buckle down 	BRJ45S-2M/F41 BRJ45S-5M/F41 BRJ45S-10M/F41	10250060 10255062 10255063	
RJ45 straight Screw cordset 	CRJ45S-2M/F41 CRJ45S-5M/F41 CRJ45S-10M/F41	10250327 10250328 10250329	 Standard 1.WH/OR 2.OR 3.WH/GN 4.N/C 5.N/C 6.GN 7.N/C 8.N/C Cross 1.WH/GN 2.GN 3.WH/OR 4.N/C 5.N/C 6.OR 7.N/C 8.N/C
RJ45 straight quick disconnect 	SRJ45S-2M/F41 SRJ45S-5M/F41 SRJ45S-10M/F41	10250427 10250691 10250692	*Cross type RJ45S-*M/F41-CR TRJ45S-*M/F41-CR BRJ45S-*M/F41-CR CRJ45S-*M/F41-CR
RJ45 straight short version 	DRJ45S-2M/F41 DRJ45S-5M/F41 DRJ45S-10M/F41	10255197 10255198 10255199	

\* Standard cable lengths are 2/5/M, Consult factory for other lengths

\*\* The naming rule of double-ended connector is male after female , flange after pre-moulding , angles after straight.



# Ethernet/IP field wirable connector



Connector	Type NO.	ID NO.	Features	Pinout
<b>M12 Straight Female</b> 	EK4238-0/9	10091220	4A,250V,-40 ~ +85°C Match with 4-pin D-coded M12 pre-moulding/ receptacle connector	Male 
<b>M12 Straight Male</b> 	EZ4238-0/9	10091230		Female 
<b>M12 Right angle Female</b> 	ELK4238-0/9	10091093		Male 
<b>M12 Right angle Male</b> 	ELZ4238-0/9	10091094		Female 
<b>RJ45 Straight Metal Field wirable</b> 	RJ45/GHM	10258096		AWG27-AWG22 Cable parameters Cable diameter:5.5-9 mm 70°C , 125V, 1.5 A 10/100Mbps
<b>RJ45 Right angle Metal Field wirable</b> 	RJ45/GLHM	10258264		