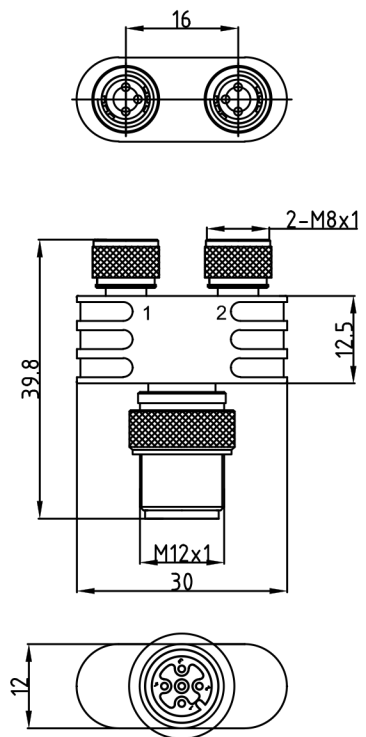
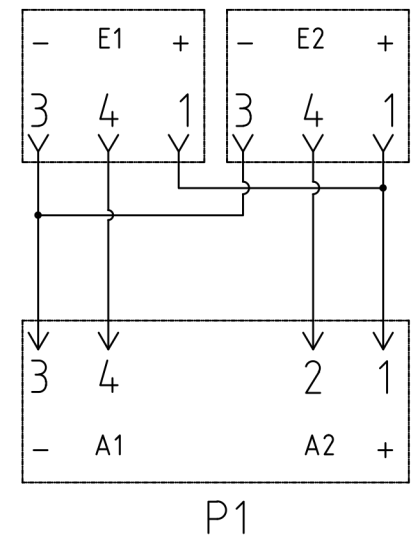



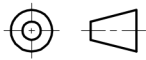
SPECIFICATIONS	
MOLDED HEAD MATERIAL/COLOR	PUR/BLACK
CONTACT CARRIER MATERIAL/COLOR	TPU/BLACK
CONTACTS	BRASS/GOLD
RECEPTACLE MATERIAL/PLATING	BRASS/NICKEL
O-RING MATERIAL	FPM/FKM
OPERATING TEMPERATURE	-25°C — +85°C
PROTECTION CLASS	IEC IP67



WIRING DIAGRAM



REV	COUNT	DESCRIPTION OF REVISIONS	BY	CHECKED	DATE

UNIT OF MEASUREMENT MILLIMETER	BROKABLE 		
Approved: Date:	Date: 2018.5.16	Description: BKM12S3PF5PMCB	
Process: Date:	Scale: 1:1		
Checked: Date:	3RD Angle Projection 	WWW.BROKABLE.COM	REV A
Designed: Date:			SOURCE DRAWING-FOR REFERENCE ONLY