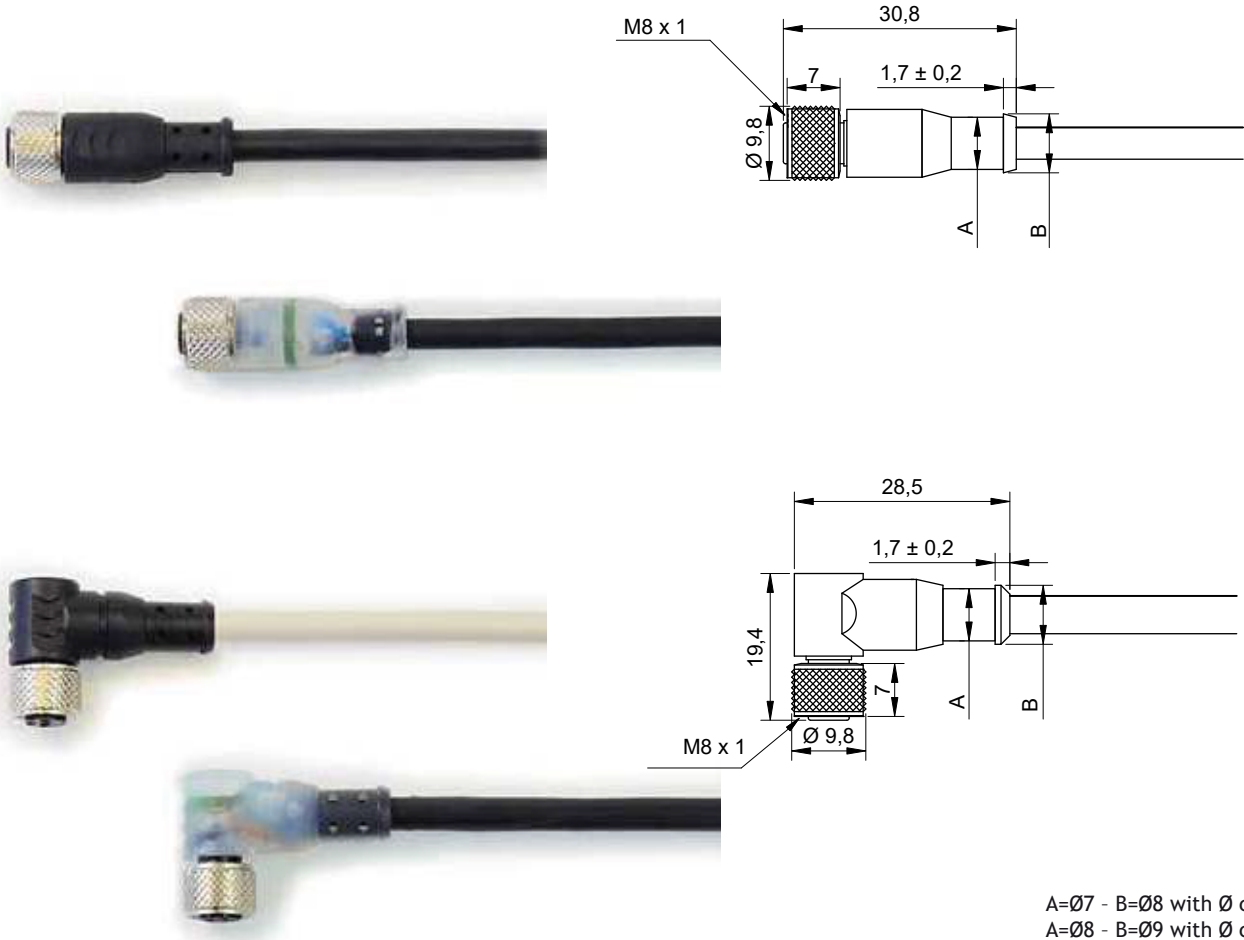


Circular connector: single head with or without LED; color head and type of cable customized.



A=Ø7 - B=Ø8 with Ø cable ≤5
 A=Ø8 - B=Ø9 with Ø cable >5

disegni scala 1:1

GENERAL FEATURES

contact material:

Au over Ni plated CuSn

cupling nut material:

CuZn, Ni plated

(if stainless steel, AISI 316L hexagonal nut)

protection class:

IP67

housing material:

TPU (Polyurethane)

temperature range:

-25°C + 80°C

Face view	Coding/poles	Locking system	Connections	Voltage (V)	Max current (A)	Features	Housing color
	A/3	Ring nut with anti-vibration system	1 Brown 3 Blue 4 Black	60	3	Without electronics	Black
				30	3	With LED electronics	
	A/4	Ring nut with anti-vibration system	1 Brown 2 White 3 Blue 4 Black	60	3	Without electronics	Black
				30	3	With LED electronics	

CODING CODE

N Housing color	08 Family	FD Connector type	3 Pin no.	A Cable type	2 Section	10 Length	S Customized
N Black G Grey T Colorless Y Yellow ...	08 M8 08X M8 with INOX ring nut 08L M8 with PNP LED 08L2 M8 with NPN LED ...	FD Straight female FA Angled female	3 3 pin 4 4 pin ...	A Grey PVC/PVC AU Grey PVC/PVC UL CSA B Shielded grey PVC/PVC BU Shielded grey PVC/PVC UL CSA E Black PVC/PVC EU Black PVC/PVC UL CSA F Shielded black PVC/PVC FU Shielded black PVC/PVC UL CSA I Gray PUR/PVC IU Gray PUR/PVC UL CSA M Black PUR/PVC MU Black PUR/PVC UL CSA N Shielded black PUR/PVC NU Shielded black PUR/PVC UL CSA ...	1 Sec. 0,14 mmq 2 Sec. 0,25 mmq 3 Sec. 0,34 mmq 4 Sec. 0,50 mmq ...	0A 0,10 m 0B 0,20 m 1Z 1 m 10 10 m 10C 10,3 m 100 100 m	S Standard ...