

## Technical Characteristics

### Part Number

#### Han 10B Kit

Hood	Side Entry
Housing	Double Lever Bulkhead
Material	Die Cast Aluminum
IP / NEMA	IP65 / 4, 4x, 12
Temp Rating	-40 to +125C
Cable Gland	M25 Metal
Cable Diameter	9-16mm / 13-18mm
Insert	Han 10E, 10+GND
Screw Terminals	18-14AWG
Wire Strip Length	7.5mm
Mating Cycles	> 500
Flammability	V-0

#### Electrical Characteristics

Rated Current	16amps
Rated Voltage	600V UL
Rated Impulse Voltage	6kV

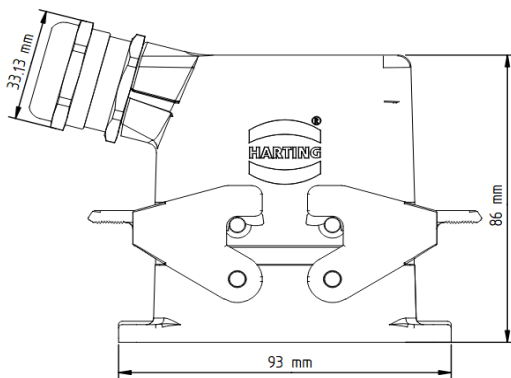
**10 33 010 0000**

**UL508**

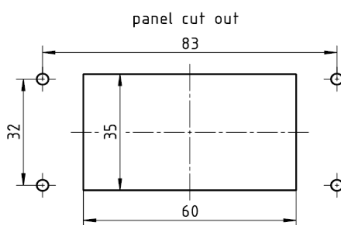
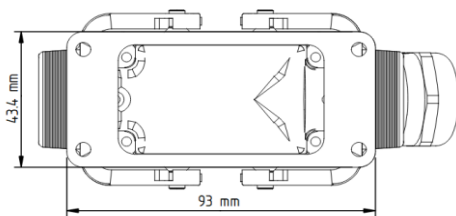


## Drawings and Assembly Information

Dimensions in mm



Tooling and Torque Values		
Type	Tool	Torque (Nm)
Terminal Screws (M3)	PH1 or Slotted 0.6 x 3.5	0.50
Fixing Screw (M3)	PH2 or Slotted 0.6 x 3.5	0.50
Mounting Screws (M4 recommended)	-	0.8...1.0
Cable Gland (M25)	SW 30	12



Kit Contents	
Male Insert	09 33 010 2601
Female insert	09 33 010 2701
Housing	09 30 010 0301
Hood	19 30 0101521
Cable Gland	19 00 000 5091

For further information, please reach out to [techsupportUS@HARTING.com](mailto:techsupportUS@HARTING.com)